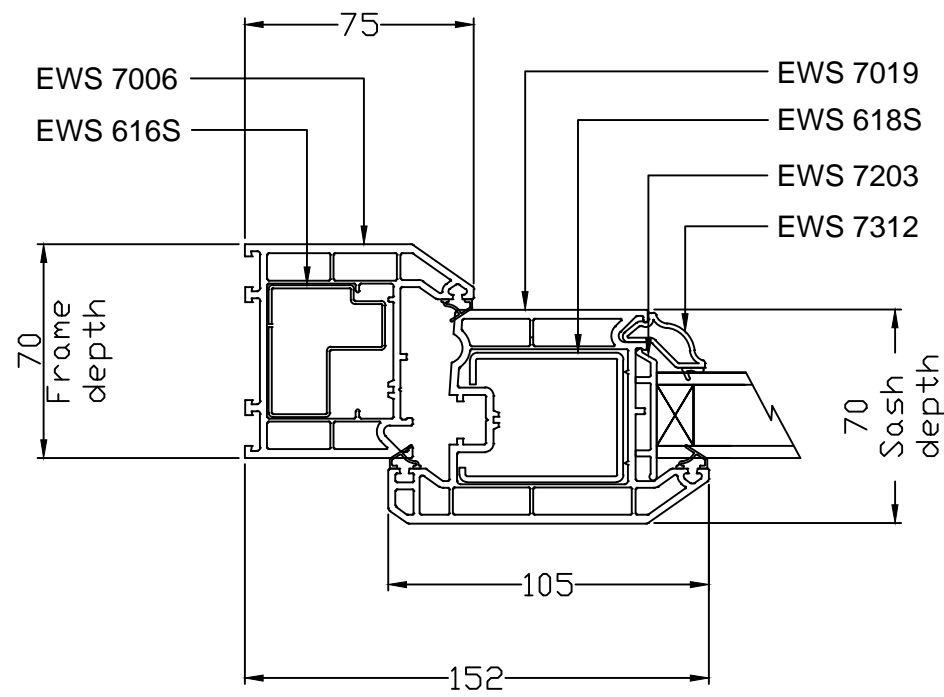
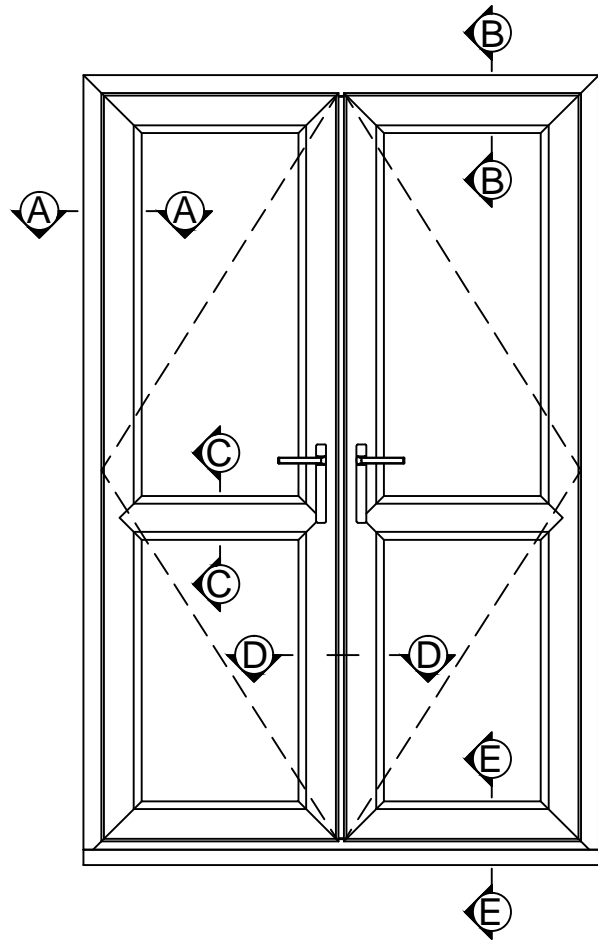
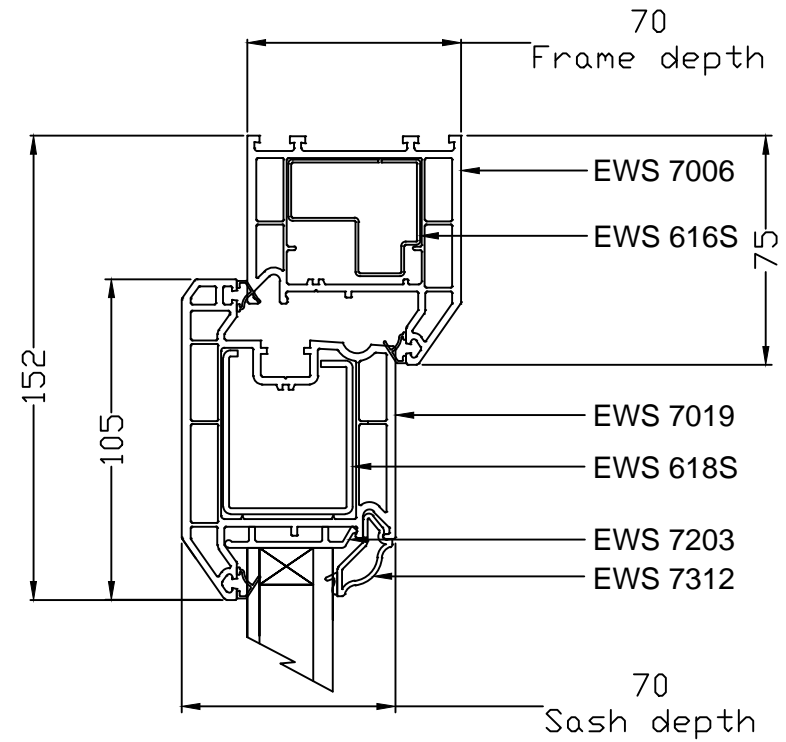


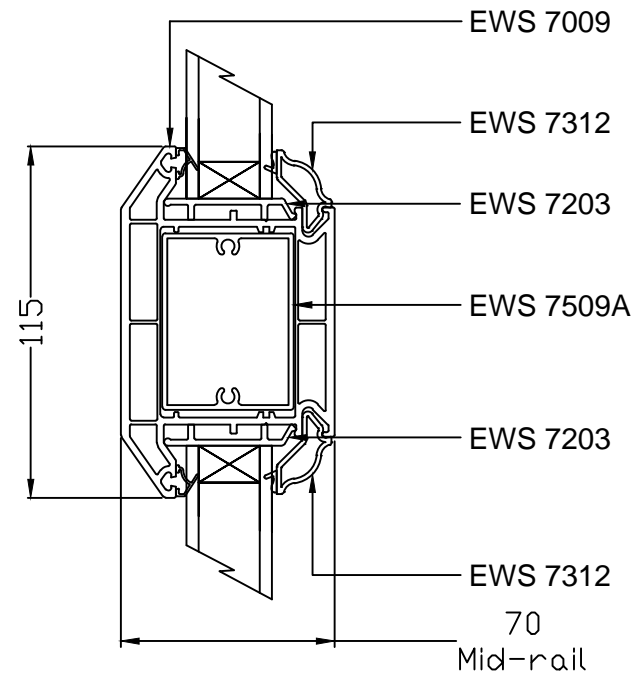
Typical French Door



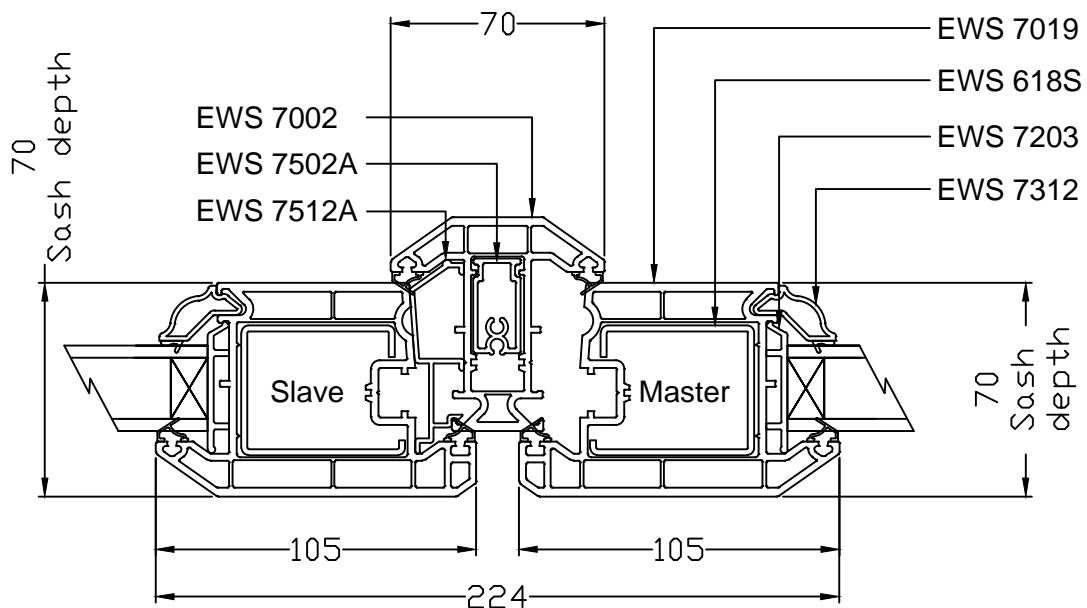
Section 'A - A'



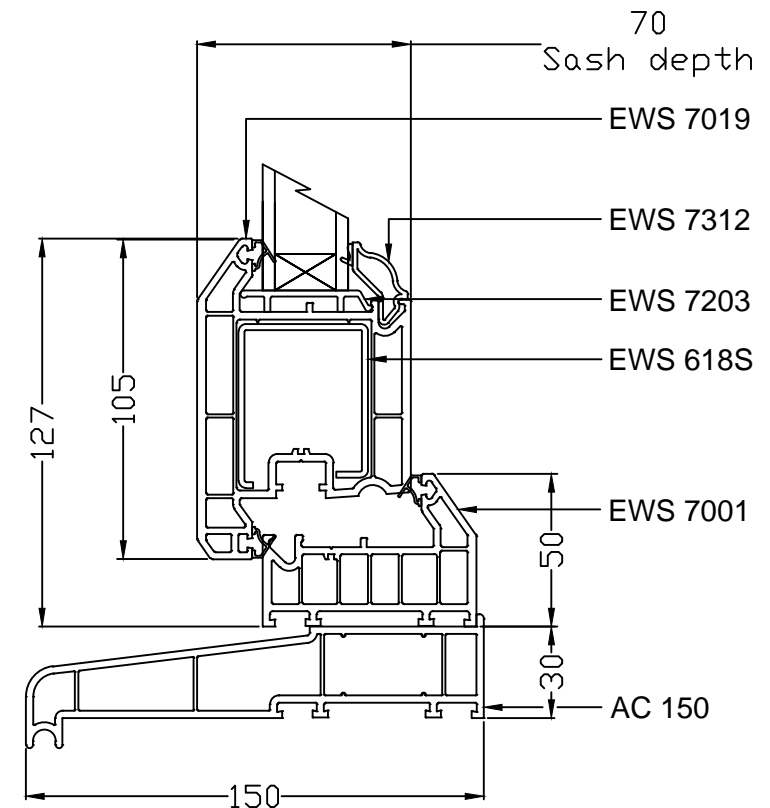
Section 'B - B'



Section 'C - C'



Section 'D - D'



Section 'E - E'



24 Howlett Way,
Thetford,
Norfolk.
IP24 1HZ
Tel : 01842 763529
Fax : 01842 752398

Revision Details:	First Issue
Date:	22/01/15
By:	D Marshall
Revision:	-
Revision Details:	
Date:	
By:	
Revision:	

Project Ref:	Eurologik 70 Windows & Doors Typical Sectional Details
--------------	--

Drawing Title:	French Door
----------------	-------------

Drawing Status:	For Information
-----------------	-----------------

Drawn:	D Marshall
Checked:	D Sismey
Date:	22/01/15
Scale: (A3)	1:20; 1:2.5 U.O.S.
Sheet:	4 of 4

Dwg. Number:	Eurocell Windows & Doors
--------------	--------------------------